



PROJECT		REF		REV	ITEM CODE	
LOCATION		DATE			PAGE	

## SANITARY WARE SPECIFICATION SHEET

Item Descriptions	GROHE (Germany) Rapid SL for wall hung WC with concealed flushing cistern, 1.13M installation height; Skate Cosmopolitan <b>Chrome Plated ABS</b> wall plate for pneumatic discharge valve in the vertical orientation during installaion; Wall brackets in pairs; <b>3.2/6 LPF</b> in <b>WELS Grade 2</b> ; Registration No. WC 21-0133
Dimensions	L156 x H197 x D10 mm
Model	38732000 (Chrome plated wall plate) 38528001 (Concealed cistern with frame) 3855800M (Wall brackets)
Finish	Chrome plated
Manufacturer	GROHE Limited
Supplier	Acme Sanitary Ware Co. Ltd Mr. Eric Wong/ Mr. Wilson Hung
Contact Tel/Fax	(852) 2388-7171 / (852) 2710-8012
E-mail	acme@acmesanitary.com.hk
Website	www.acmesanitary.com.hk

Illustration/ Drawing

**Skate Cosmopolitan Flush plate**  
 for dual flush or start & stop actuation  
 for pneumatic discharge valve AV1  
 vertical and horizontal installation  
 156 x 197 mm  
 made of ABS  
**GROHE StarLight** chrome finish  
**GROHE EcoJoy** technology for less water and perfect flow

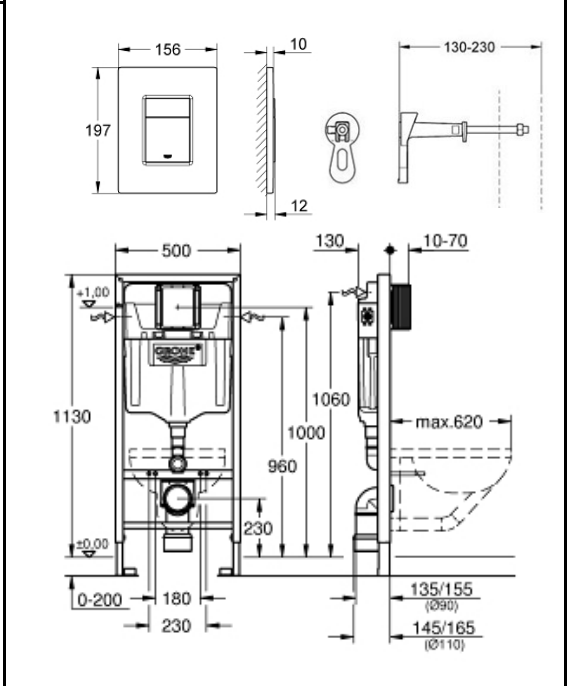
**Rapid SL for WC flushing cistern GD 2**  
**1.13 m installation height**  
 for on-the-wall installations or studded walls  
 powder coated steel frame, self-supporting  
 for dry-cladding, completely pre-assembled  
 with fixed connections  
 quick adjustment, lockable fixing material  
 TÜV approved; 2 WC fixing bolts  
 fixing device for ceramic  
 WC ceramics with small bearing area (less than 205 mm)  
 require additional accessory 38 779 000

distance of fixing bolts 180/230 mm  
 outlet bend Ø 90 mm  
 depth adjustable  
 reducer Ø 90/110 mm  
 inlet and outlet connecting set  
**flushing cistern GD 2, 6 - 91**  
 adjustment ex factory 6 l and 3 l  
 pneumatic discharge valve offering 3 modes of operation: dual flush or start/stop or single flush  
 water supply from left/right or back  
 low noise (group I acc. to German Noise Specification)  
 insulated against condensation  
 ½" water supply connection including integrated angle valve and push fit flexible hose union  
 no tools required for the installation of the inspection shaft  
 including protection during construction phase for vertical or horizontal use  
**without accessories for on-the-wall installation**

for mounting of small flush plates please order revision shaft 40 911 000 (sold separately)

38732A00  
hard graphite

38732DA0  
warm sunset



**Note:**

\* All information of the above is for the reference only. No prior notice is made if any changes.



自願參與用水效益標籤計劃 - 水廁  
Voluntary Water Efficiency Labelling Scheme - Water Closets




茲證明  
This is to certify that

將下列水廁在本計劃內註冊：  
has registered the following water closet under this scheme :

牌子 / Brand	: Grohe
型號 / Model	: 38528001 + 42333000 + 38732XXX + 42320000
種類 / Category	: Water Closet Cistern
原產地 / Country or Region Origin	: Germany (WC Cistern & Flushing Valve)

XXX – denotes the code of colour

在用水效益標籤上展示的標誌 <i>Symbolic Presentation on the Water Efficiency Label</i>	:  滴水點 <i>Water droplet(s)</i>
用水效益級別 <i>Water Efficiency Grade</i>	: 2
全沖水量 <i>Water Flush Volume (Full)</i>	: 6.0 公升/沖廁 <i>litres/flush</i>
低沖水量 <i>Water Flush Volume (Reduced)</i>	: 3.2 公升/沖廁 <i>litres/flush</i>

簽發日期:  
Date of Issue: 22 March 2021

 水務署  
Water Supplies Department




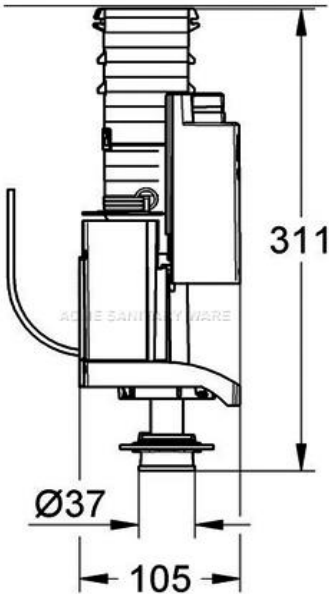
水務署署長(張業駒代行)  
for Director of Water Supplies

+ 上述水廁具額外節水功能，即：重用洗盥水作沖廁用途。  
The above water closet is equipped with additional water saving feature, that is: re-use the water collected from wash basin for flushing purpose.



PROJECT		REF		REV	ITEM CODE	
LOCATION		DATE			PAGE	

**SANITARY WARE SPECIFICATION SHEET**

<p>Item Descriptions</p> <p>Model</p> <p>Finish</p> <p>Manufacturer</p> <p>Supplier</p> <p>Contact Tel/Fax</p> <p>E-mail</p> <p>Website</p>	<p>GROHE (Germany) Plastic single top push flush valve</p> <p>42320000</p> <p>Plastic</p> <p>GROHE (Germany)</p> <p>Acme Sanitary Ware Co. Ltd Mr. Eric Wong/ Mr. Wilson Hung</p> <p>(852) 2388-7171 / (852) 2710-8012 acme@acmesanitary.com.hk www.acmesanitary.com.hk</p>	<p align="center">Illustration/ Drawing</p>  
---	---	--

Note:

*\* All information of the above is for the reference only. No prior notice is made if any changes.*



水務署  
Water Supplies Department

總部 Headquarters

香港灣仔告士打道七號入境事務大樓 48 樓

7 Gloucester Road, Wan Chai, Hong Kong



本署檔號  
Our ref.  
來函檔號  
Your ref.

1/2024 T/J(133/2024)

電話 :  
Tel :  
傳真 : 2824 0578  
Fax :

27 February 2024



Approval of "GROHE" Flush Valve  
(General Acceptance No. C20240141F)

Your E-Application [file-id: ETJ-GA-20240206-3] dated 6 February 2024 refers.

Having considered the test report ref. J29467 issued on 4 January 2024 by Nutek Systems (HK) Limited, this Authority accepts that the fitting described below complies with, and its use when correctly installed does not contravene, the Waterworks Ordinance and Regulations.

**Name of Manufacturer:** Grohe AG

**Country of Origin:** Germany

**Brand:** Grohe

**Details of Fitting:** 37mm Plastic dual flush valve

**Model:** 42320000

**Body Markings:** 

**Expiry Date:** 19 December 2028



**Proviso:** As the fitting has not been tested for use in contact with water intended for human consumption, the fitting can only be used in flushing water plumbing system.

This Authority hereby permits the use of the above fitting in flushing water plumbing systems subject to full adherence to Waterworks installation requirements. In particular, you are required to draw your customers' attention to the following requirement-

"The flushing volume of the flushing valve should be adjusted to suit the design of the toilet bowl so that wastes can be cleared effectively by a single flush."

"The fitting should be used within the range of working pressures specified by the manufacturer." AND

"The installed fitting should not result in backflow of water that will contaminate the flushing water supply."

A condition of this acceptance is that the fitting to be installed shall be replicas of the sample as certified by the testing agent mentioned above and without modifications. This acceptance may be withdrawn at any time if the standard of the fitting installed fails to meet that of the approved sample or if the fitting is found to be unsuitable for use in flushing water plumbing systems.

For the use of the fitting in any project, the General Acceptance Number of this letter must be quoted as a means of identification of acceptance of the fitting by this Authority.

Should you have any enquiries, please contact our Engineer Mr Albert CHOW at tel. no. 3583 4086.

Yours faithfully,



(Terry KUNG)  
for Director of Water Supplies

Encl.

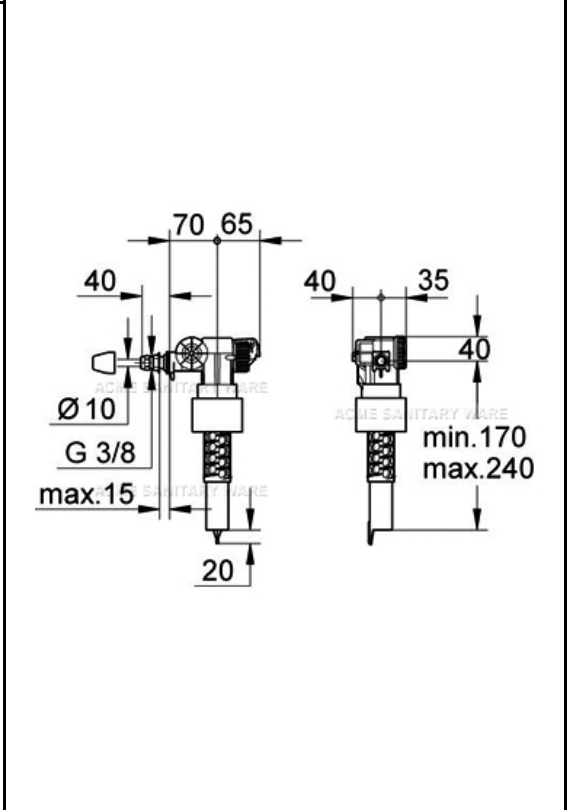
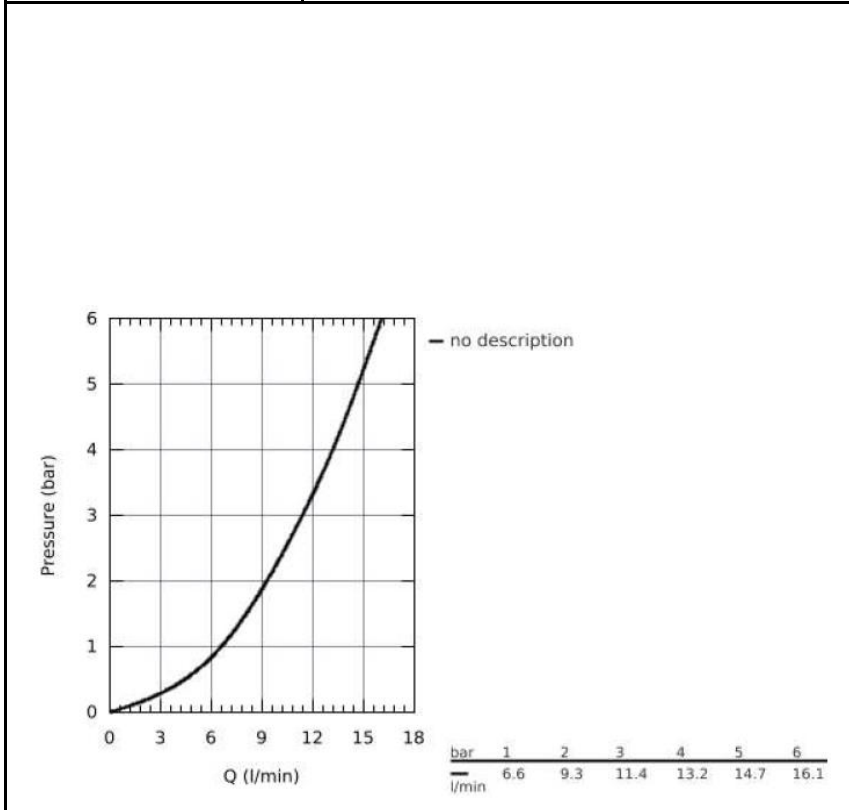
c.c. WSD 3321/1/82 ] - without catalogue  
ME/MC ] - with soft copy only



PROJECT		REF		REV	ITEM CODE	
LOCATION		DATE			PAGE	

## SANITARY WARE SPECIFICATION SHEET

Item Descriptions	GROHE (Germany) Plastic inlet valve	Illustration/ Drawing
Model	37095000	
Finish	Plastic	
Manufacturer	GROHE (Germany)	
Supplier	Acme Sanitary Ware Co. Ltd Mr. Eric Wong/ Mr. Wilson Hung	
Contact Tel/Fax	(852) 2388-7171 / (852) 2710-8012	
E-mail Website	acme@acmesanitary.com.hk www.acmesanitary.com.hk	



**Note:**

\* All information of the above is for the reference only. No prior notice is made if any changes.



水務署  
Water Supplies Department

總部 Headquarters

香港灣仔告士打道七號入境事務大樓 48 樓

Registration Tower, 7 Gloucester Road, Wan Chai, Hong Kong



本署檔號  
Our ref.  
來函檔號  
Your ref.

2020 T/J(1065/2020)

電話  
Tel.  
傳真  
Fax.

2824 0578

6 October 2020



**Approval of "GROHE" Float Operated Valve  
(General Acceptance No. C20200864F)**

Your letter ref. WRC/2305 dated 13 August 2020 refers.

Having considered the test report ref. J24281 issued on 30 July 2020 by Nutek Systems (HK) Limited, this Authority accepts that the fitting described below complies with, and its use when correctly installed does not contravene, the Waterworks Ordinance and Regulations.

**Name of Manufacturer:** Grohe AG  
**Country of Origin:** Germany  
**Brand:** Grohe  
**Details of Fitting:** 3/8" Plastic float operated valve  
**Model:** 37095000  
**Body Markings:**   
**Expiry Date:** 2 June 2025



**Proviso:** As the fitting has not been tested for use in contact with water intended for human consumption, the fitting can only be used in flushing water plumbing system.

This Authority hereby permits the use of the above fitting in flushing water plumbing systems subject to full adherence to Waterworks installation requirements. In particular, you are required to draw your customers' attention to the following requirement-

"The flushing volume of the flushing valve should be adjusted to suit the design of the toilet bowl so that wastes can be cleared effectively by a single flush."

"The fitting should be used within the range of working pressures specified by the manufacturer." AND

"The installed fitting should not result in backflow of water that will contaminate the flushing water supply."

A condition of this acceptance is that the fitting to be installed shall be replicas of the sample as certified by the testing agent mentioned above and without modifications. This acceptance may be withdrawn at any time if the standard of the fitting installed fails to meet that of the approved sample or if the fitting is found to be unsuitable for use in flushing water plumbing systems.

For the use of the fitting in any project, the General Acceptance Number of this letter must be quoted as a means of identification of acceptance of the fitting by this Authority.

Should you have any enquiries, please contact our Engineer Mr. Terry KUNG at tel. no. 3583 4086.

Yours faithfully,



(CHAN Chung-kun)

for Director of Water Supplies

Encl.

c.c. WSD 3321/1/82 ] - without catalogue  
ME/MC ] - with soft copy only